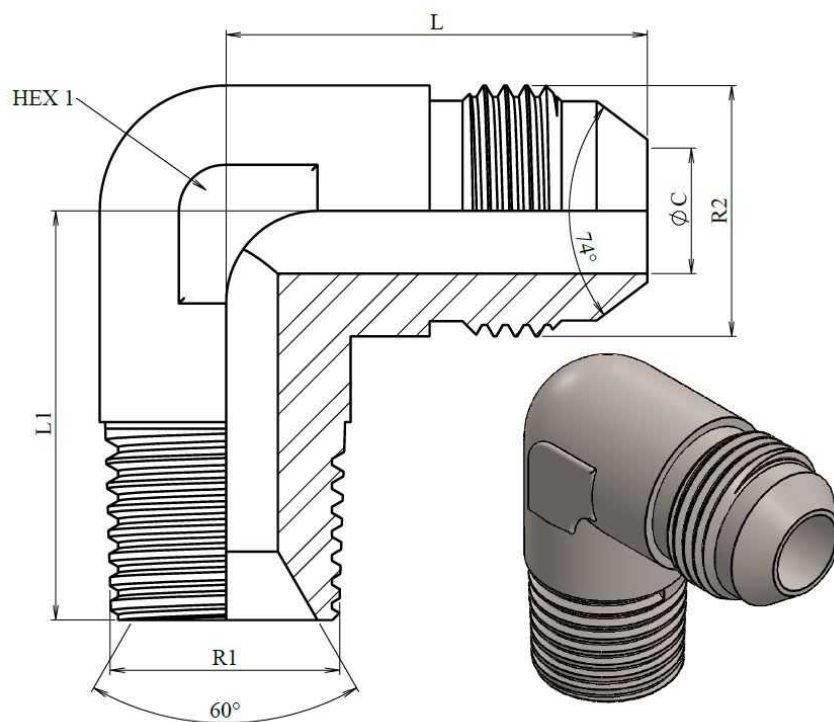


Racores JIC 37º

Codos 90º JIC 37º

Codo 90º macho JIC 37º - macho NPT



Artículo	ØD1	ØD2	R1	R2	L	L1	ØC	HEX 1
ZS5250610	6	1/4"	1/8" NPT	7/16" 20h UNF	22,5	20	4,4	12
ZS5250613	6	1/4"	1/4" NPT	7/16" 20h UNF	26,5	27	4,4	14
ZS5250810	8	5/16"	1/8" NPT	1/2" 20h UNF	24	26	6	14
ZS5250813	8	5/16"	1/4" NPT	1/2" 20h UNF	26,5	27	6	14
ZS5251013	10	3/8"	1/4" NPT	9/16" 18h UNF	27	27	6	17
ZS5251017	10	3/8"	3/8" NPT	9/16" 18h UNF	27	31	6	19
ZS5251021	10	3/8"	1/2" NPT	9/16" 18h UNF	31	37	6	22
ZS5251213	12	1/2"	1/4" NPT	3/4" 16h UNF	32	27	9,5	19
ZS5251217	12	1/2"	3/8" NPT	3/4" 16h UNF	32	31	9,5	19
ZS5251221	12	1/2"	1/2" NPT	3/4" 16h UNF	32	35	9,5	24
ZS5251617	14-15-16	5/8"	3/8" NPT	7/8" 14h UNF	39	31	12	24
ZS5251621	14-15-16	5/8"	1/2" NPT	7/8" 14h UNF	39	37	12	22
ZS5251626	14-15-16	5/8"	3/4" NPT	7/8" 14h UNF	39	40	12	27
ZS5252021	18-20	3/4"	1/2" NPT	1" 1/16 12h UN	42	37	15,5	27
ZS5252026	18-20	3/4"	3/4" NPT	1" 1/16 12h UN	42	40	15,5	27
ZS5252526	25	1"	3/4" NPT	1" 5/16 12h UN	50	45	21,5	36
ZS5252533	25	1"	1" NPT	1" 5/16 12h UN	49	46	21,5	36